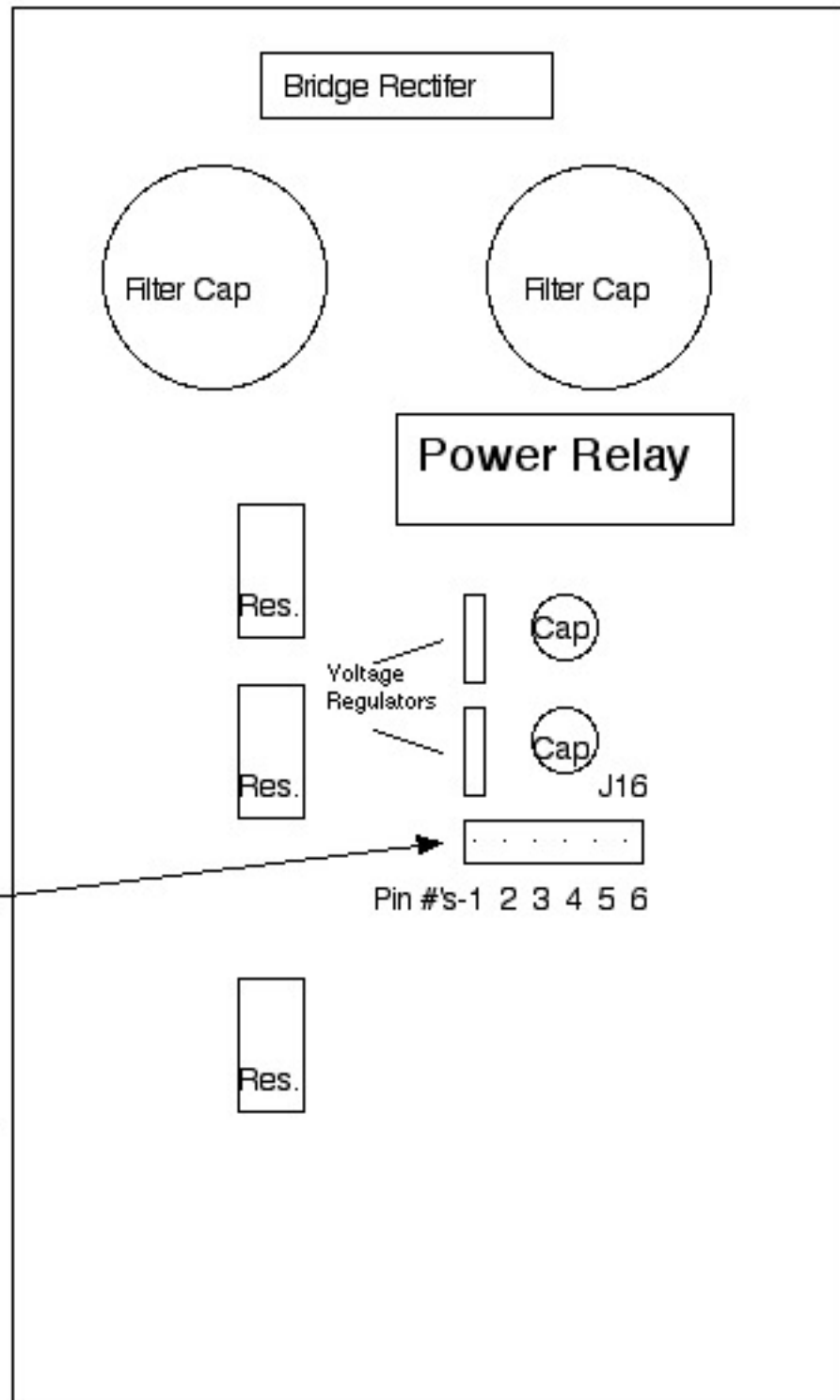


Pin-out for Full Range Cerwin Vega Power-Amp

Top (Circuit Board View)

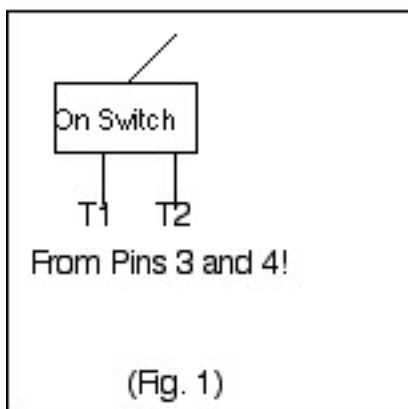
Connector Pin-out
for J16

1. + 12 volts
2. Power Ground
3. On Switch-T1
(See Fig. 1)
4. On Switch-T2
5. Audio Ground
6. Audio Input



Audio/Relay/Power
connector-J16

Pin #'s-1 2 3 4 5 6



*Note: When pins 3(T1) and 4(T2) are connected it engages the power relay to turn the amp. on.